

WW600

Code: WW600-16W-840N
FUSION Linear System

General

- Indoor
- Wall Washer
- Profile Inset
- Square
- Reflector Color: Matt
- Material: Aluminum
- Finish: Colour Finish
- IP: 20

LED

- CCT: 4000K
- CRI: 80
- LED Output: 2300lm
- System Output: 1300lm
- Lifetime: 50000h@L80B10
- Standard Deviation: SDCM: 3
- LED Chip: SAMSUNG

Optics

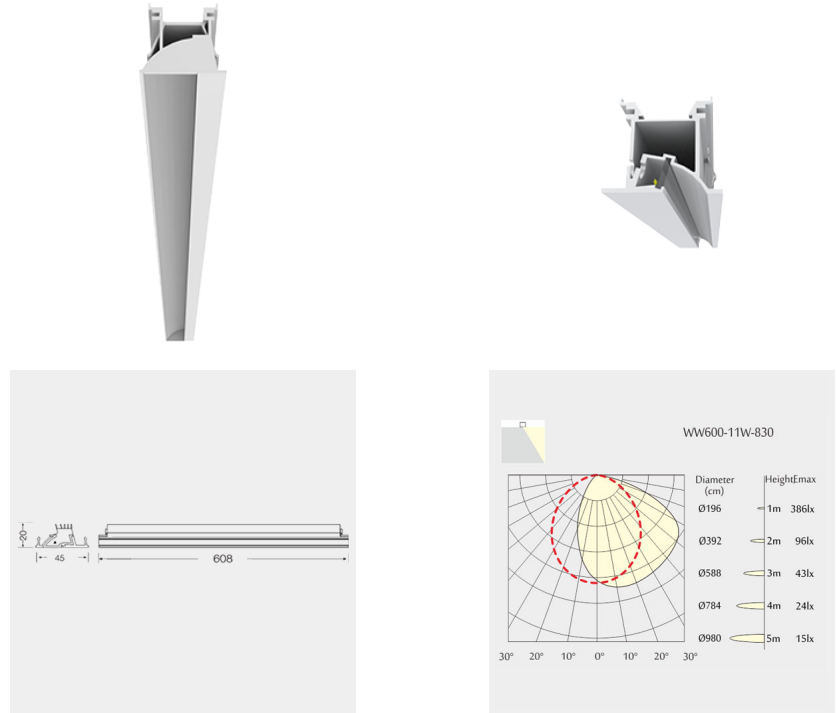
- Beam Angle: Wall Washer

Electric

- LED Driver: None
- LED Power: 16W
- System Power: 18W
- LED Voltage: 46V
- LED Current: 350mA

Dimensions

- Measurements: 608mm x 45mm
- Height: 20mm
- Net Weight: 220g
- Gross Weight: 240g



Technical Drawing

Light Distribution



RoHS 850°C



Description

FUSION Linear Wall Washer Module as profile insert; white surface (RAL 9016) and matte reflector; measurement 608mm x 45mm; Wall Washer's weight is approximately 220g; CCT 4000K with an LED Output of 2300lm; decent color rendering at an index of CRI80; after a lifetime of 50000h min. 80% of the luminous flux with energy efficient SAMSUNG LED Chips; 5 years warranty; lighting perfectly suitable for a wide illumination of wall surfaces to allow homogeneous light distribution; degree of housing protection according to DIN EN 60529 (IP20)

We reserve the right to make technical changes without prior notice.

NEKO Lighting AG | Switzerland | CH-8008 Zurich | Kreuzstrasse 2

T +41 44 451 8015 | sales@nekolighting.com

www.nekolighting.com